

Granita Freezers

Model G102, G103, G102F and G103F

Dispense frozen drinks quickly and easily with these compact 2 bowl and 3 bowl countertop freezers. Ideal for making Frozen Granita Drinks, Cocktails, Coffees, Teas, Iced Cappuccino, Slush and Smoothies. May also be operated as a chilled beverage dispenser. Models G102F and G103F incorporate a larger compressor, and freeze down up to 30% faster.

Special Features

Removable Bowls

Individual large 3 gallon clear bowls are easy to remove for cleaning and are designed to be a visual merchandiser. Colorful top merchandisers are front and back lit.

Viscosity Control

Independent, adjustable viscosity controls for each bowl.

Self-closing Handle

Spring operated dispensing handle closes automatically. Ideal for self serve applications. The handle and hopper are both available with an optional locking mechanism for added security.

Beater Assembly

Single piece beater assembly with scraper designed for lasting durability.

Chilled Mode

Freezer can also be used as a chilled beverage dispenser.

Optional Auto Fill

Optional auto fill system to blend syrup and water to the proper ratio for you...no mixing necessary.

Optional Timer

Optional defrost timer can be preset to go into chilled mode during non business hours.



Model G102
G102F



Model G103
G103F

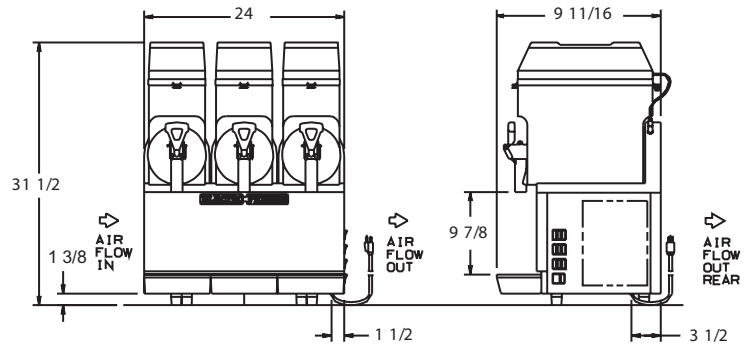
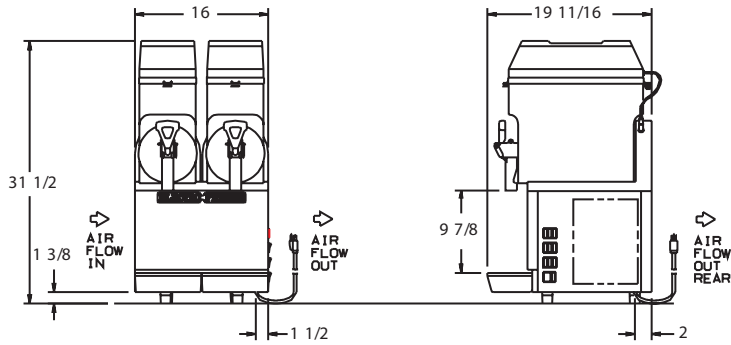
BATCH
 FROZEN COCKTAIL
 SLUSH
 SHAKE
 YOGURT
 SOFT SERVE

ELECTRO FREEZE®

Plumbing & Electrical Connections

8 INCH CLEARANCE REQUIRED
ON REAR AND SIDES

8 INCH CLEARANCE REQUIRED
ON REAR AND SIDES



Model G102 G102F

Model G103 G103F

SPECIFICATIONS

All specifications subject to change without notice.

Model	Capacity (Quarts)	Depth	Width	Height	Shipping Wt.	Single Phase	Amps
G102	12	19-11/16" 50 CM	16" 40 CM	31-1/2" 80 CM	104 LB.	115V	9.1
G102F	12	19-11/16" 50 CM	16" 40 CM	31-1/2" 80 CM	104 LB.	115V	12.0
G103	12	19-11/16" 50 CM	24" 61 CM	31-1/2" 80 CM	145 LB.	115V	13.7
G103F	12	19-11/16" 50 CM	24" 61 CM	31-1/2" 80 CM	145 LB.	115V	16.0

Refrigerant: 404a

Authorized Distributor

division of H.C. DUKE & SON, INC.

2116 - 8th Avenue • East Moline, Illinois 61244
 Phone (309) 755-4553 • (800)755-4545
 Fax (309) 755-9858

E-mail: sales@electrofreeze.com • www.electrofreeze.com

Certified and/or listed by:



*Listed by Underwriters Laboratories under Canadian National Standard C22.2 No. 120-M91

Also CLASSIFIED in accordance with NSF #6